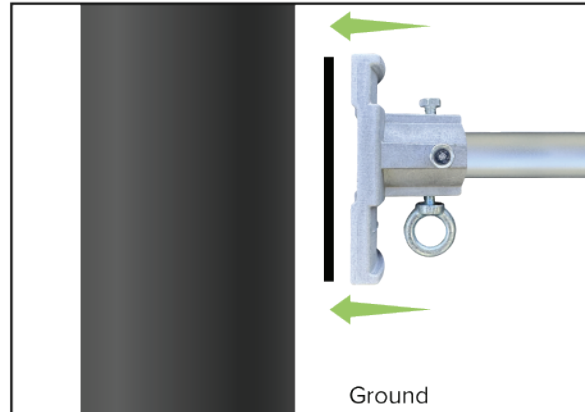
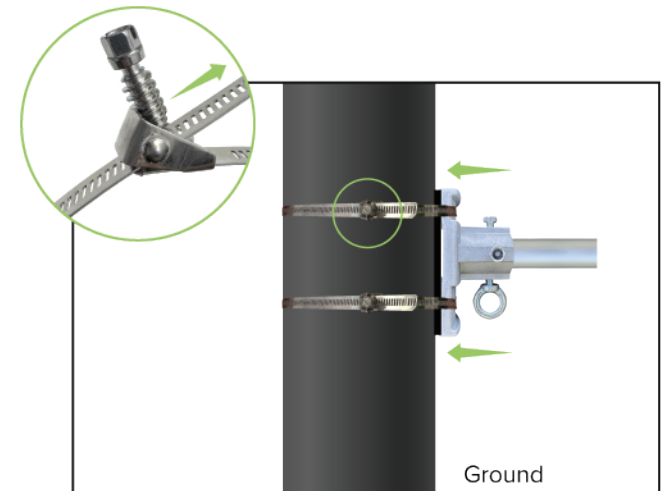


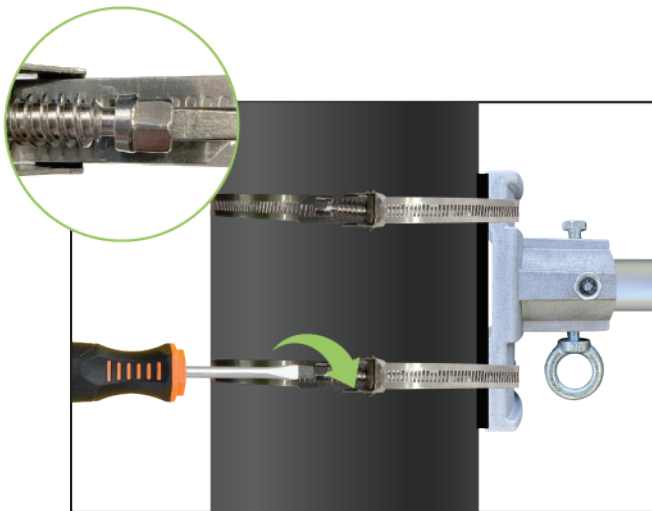
Step 1 : Unpack all contents from the box and check that all parts are included.



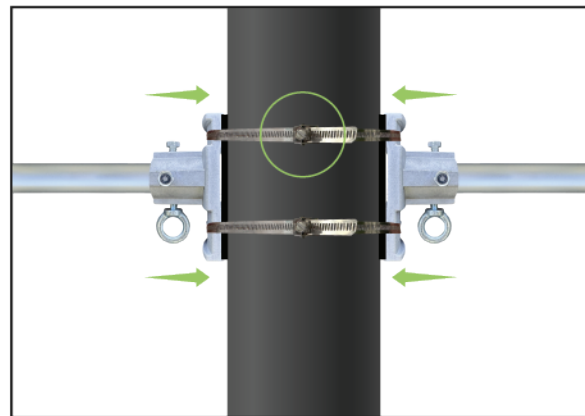
Step 2 : Place the **top pole bracket** against the street or sign pole, ensuring the **black rubber pad** is positioned between the bracket and the pole. The **metal ring should face downwards** toward the ground



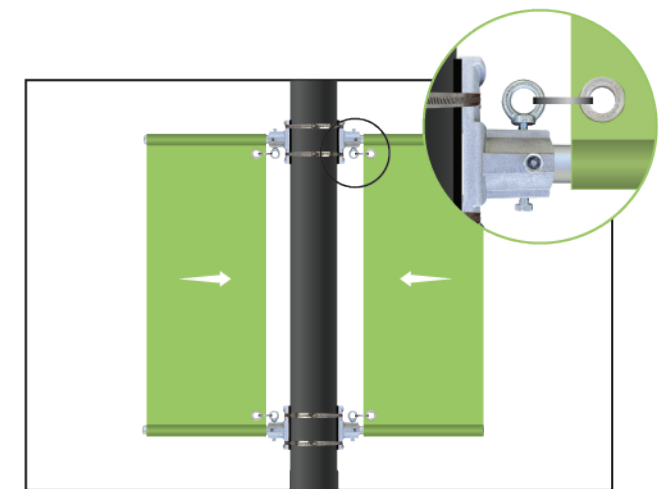
Step 3 : Wrap the metal strap around the pole and slot through the bracket to secure it in place.



Step 4 : Push the screw head flat against the bracket, then use a flathead screwdriver to tighten the strap until the bracket is firmly secured to the pole.



Step 5 : If installing **two banners back-to-back**, wrap the strap around both brackets so that they are secured to the pole together.



Step 6 : Attach the bottom bracket below the top bracket, this time with the metal ring facing upwards. Tighten the strap as in Step 4. Use the supplied **zip ties** to secure the top and bottom of the banner to the metal rings on the brackets.